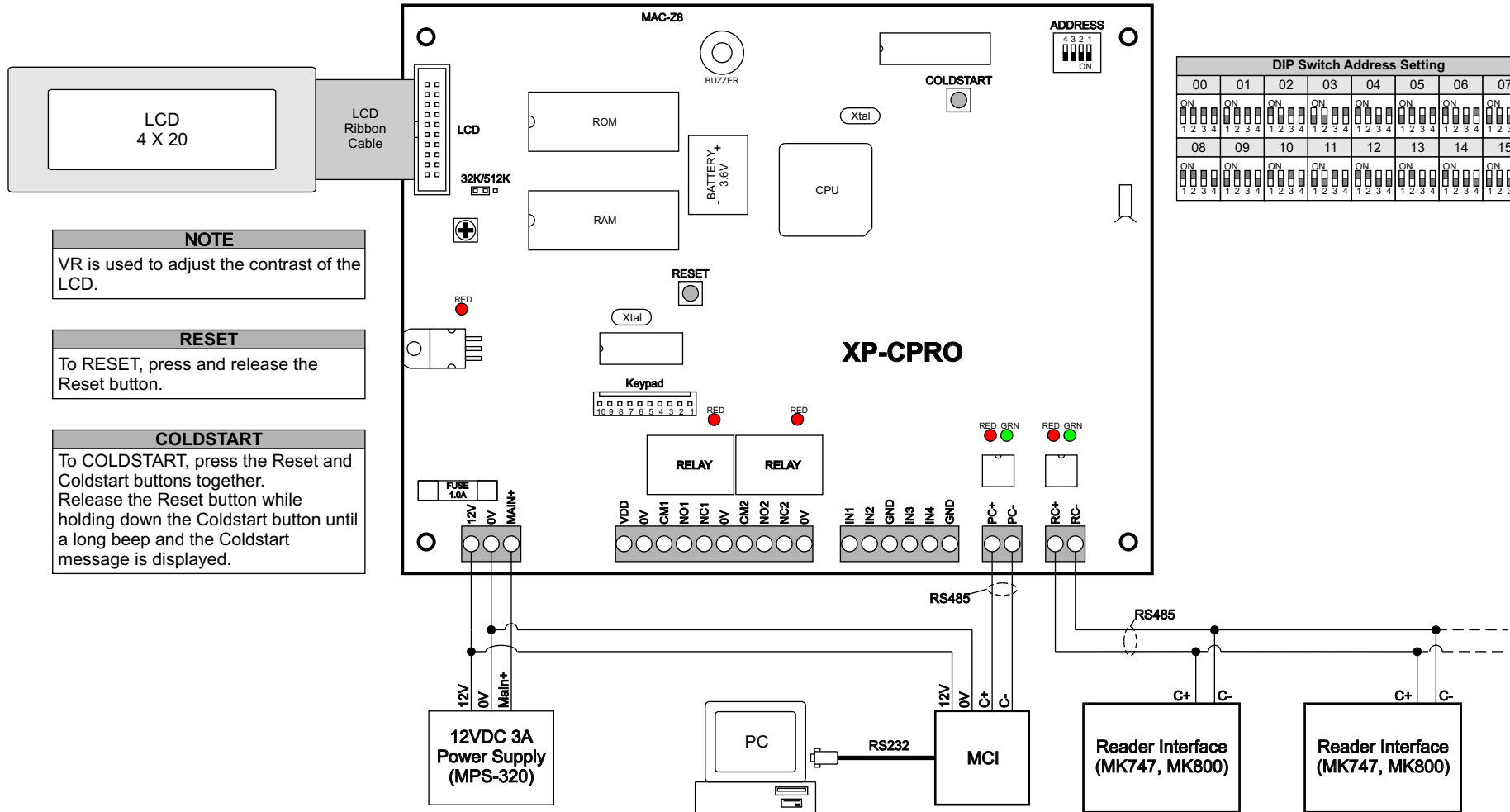




# XP-CPRO :: MultiDoor Access Controller

## Wiring Diagram



**NOTE**  
VR is used to adjust the contrast of the LCD.

**RESET**  
To RESET, press and release the Reset button.

**COLDSTART**  
To COLDSTART, press the Reset and Coldstart buttons together. Release the Reset button while holding down the Coldstart button until a long beep and the Coldstart message is displayed.

DIP Switch Address Setting							
00	01	02	03	04	05	06	07
ON 1 2 3 4	ON 1 2 3 4	ON 1 2 3 4	ON 1 2 3 4	ON 1 2 3 4	ON 1 2 3 4	ON 1 2 3 4	ON 1 2 3 4
08	09	10	11	12	13	14	15
ON 1 2 3 4	ON 1 2 3 4	ON 1 2 3 4	ON 1 2 3 4	ON 1 2 3 4	ON 1 2 3 4	ON 1 2 3 4	ON 1 2 3 4