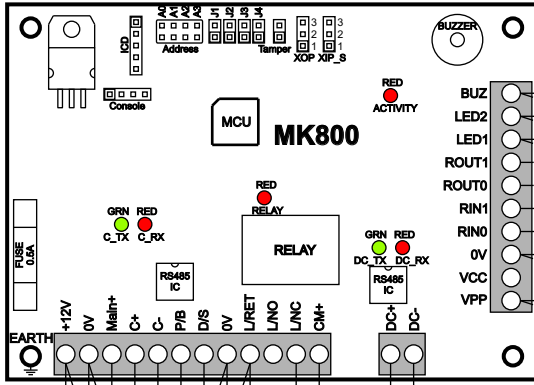
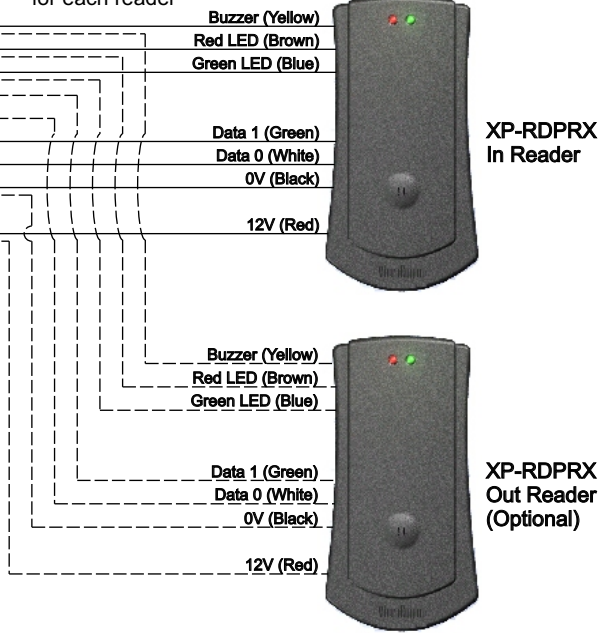


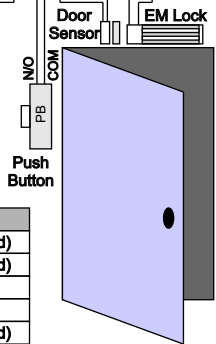
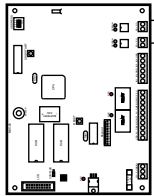
# MK800 :: Reader Interface Wiring Diagram



Note:  
Max. Cable length <= 50ft\*  
for each reader



MPS30 Power Supply 12VDC 3A

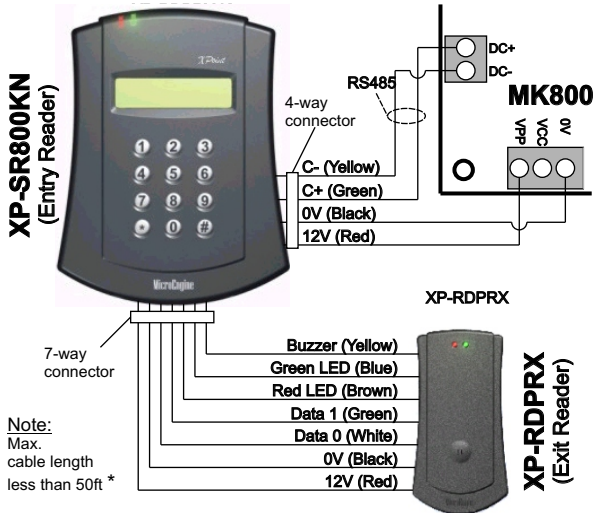


Jumper Setting	
J1	Model Selection (default opened)
J2	Model Selection (default opened)
J3	Carpark Mode
J4	Spare Jumper Setting
Tamper	Tamper Sensor (normally closed)

\* recommended cable for proximity reader:  
8-core 24 AWG shielded non-twisted data cable

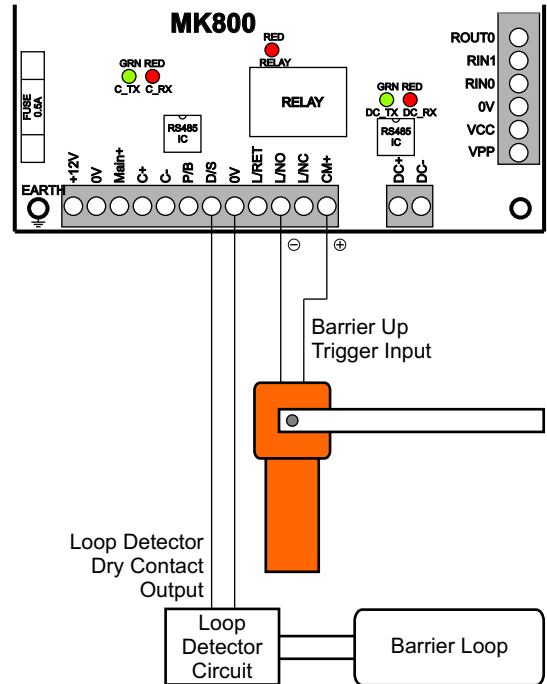
Jumper Address Setting							
00	01	02	03	04	05	06	07
A1 A2 A3	A1 A2 A3	A1 A2 A3	A1 A2 A3	A1 A2 A3	A1 A2 A3	A1 A2 A3	A1 A2 A3
08	09	10	11	12	13	14	15
A1 A2 A3	A1 A2 A3	A1 A2 A3	A1 A2 A3	A1 A2 A3	A1 A2 A3	A1 A2 A3	A1 A2 A3

## Keypad Proximity Reader Connection



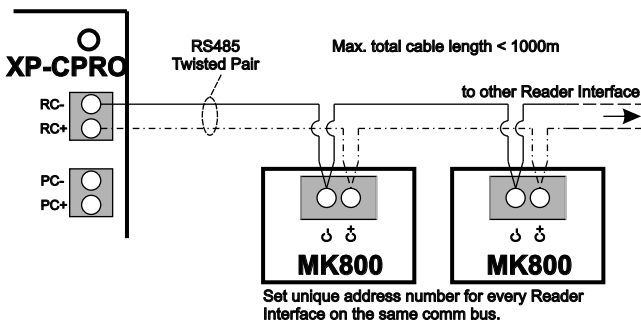
Note:  
Max. cable length less than 50ft \*

## Barrier and Loop Detector Connection



NOTE:  
The car present detection feature will only be activated when Car Park Mode Jumper (J3) is shorted.

## RS485 Multi-Drop Connection



Set unique address number for every Reader Interface on the same comm bus.